



PAXTON-MITCHELL COMPANY

SNÔOPER[®] **SERIES 260**



***Over... Under ...
Across ...***

***The most advanced underbridge and
overbridge inspection unit in the
industry ... the SNÔOPER[®] Series 260***

Compliant with ANSI A92.8-1993 for Vehicle-Mounted Bridge Inspection and Maintenance Devices



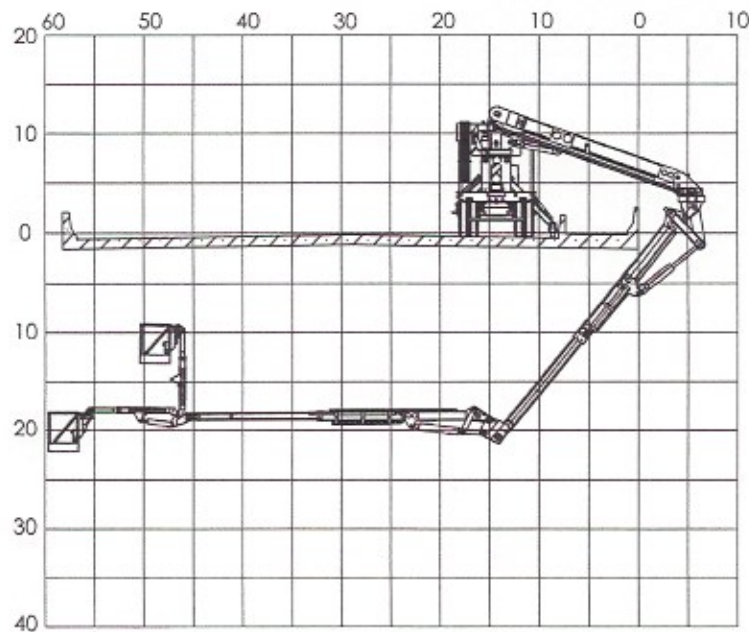
PAXTON-MITCHELL COMPANY

SNOOPER[®]

SERIES 260

The *SNOOPER* Series 260 offers advanced features unmatched in the industry. The main turret has an extraordinary 360 degree rotation! The 270 degree 2nd turret rotation and the 60' horizontal reach from outer edge of the bridge deck allows a massive underbridge access up to 6,800 square feet. Rolling stabilizers allow driving forward or reverse for extended overlapping coverage. The *SNOOPER* Series 260 sees under, over, below and up behind girders for the most thorough inspection or maintenance project.

A bridge isn't inspected until the SNOOPER sees it!



- 70' Below Bridge Extension
- Telescoping 2nd Boom from 18' to 29'
- 48' Above Grade Extension
- 360 Degree Rotation
- Telescoping Hydraulic Basket Boom
- Rolling Stabilizers for Safety, Stability and Reduced Vehicle Weight
- Operates in One Traffic Lane

The *SNOOPER* Series 260 is available in either Basket or Platform configurations with a robust 600 lb. load capacity. Optional items such as auxiliary power supply, electric generator, air compressor, tool boxes, etc. are available upon request.